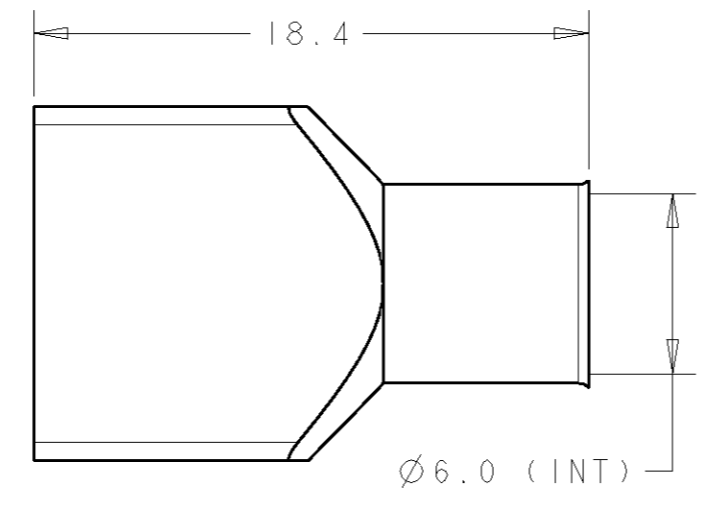
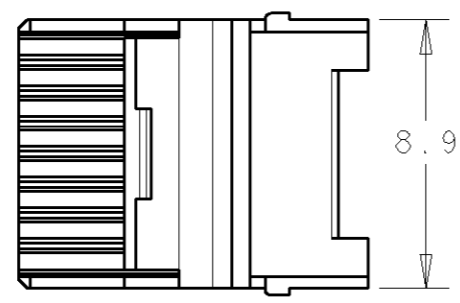
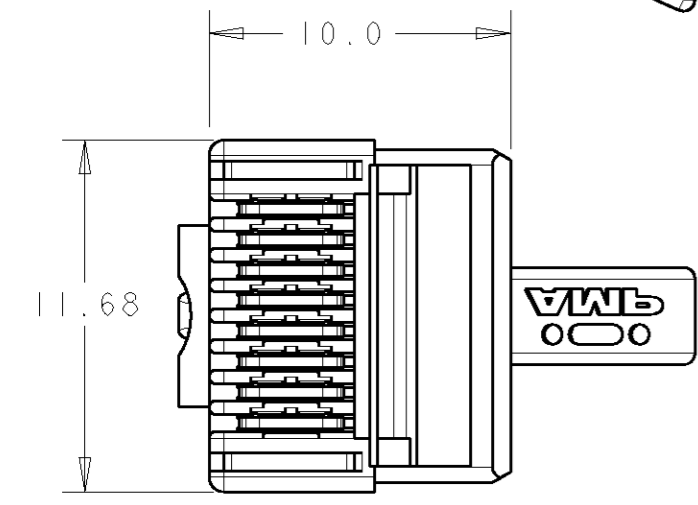
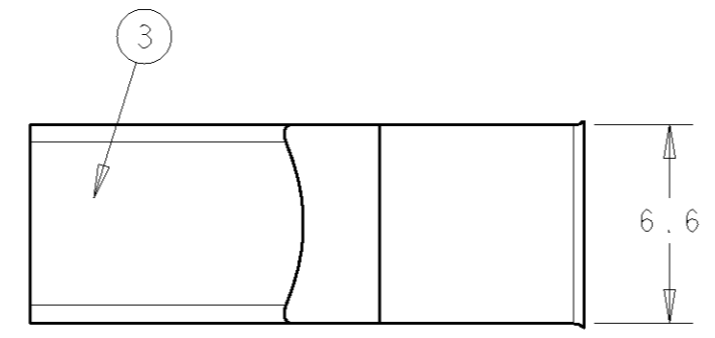
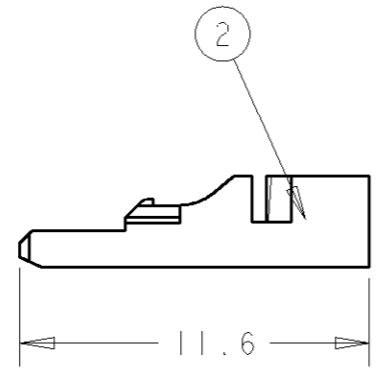
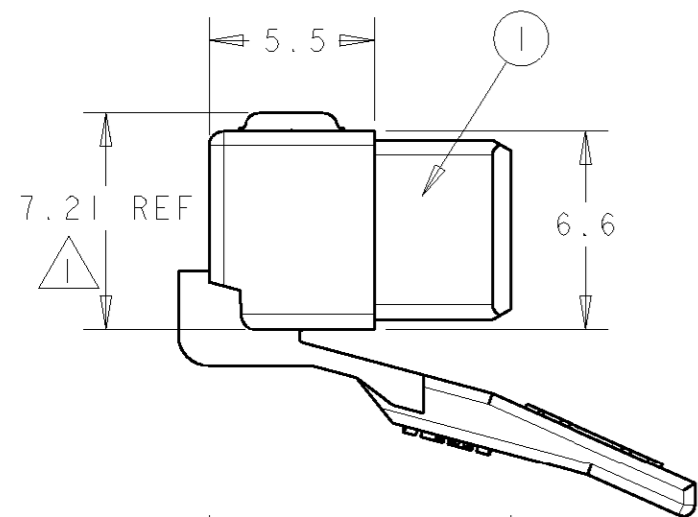


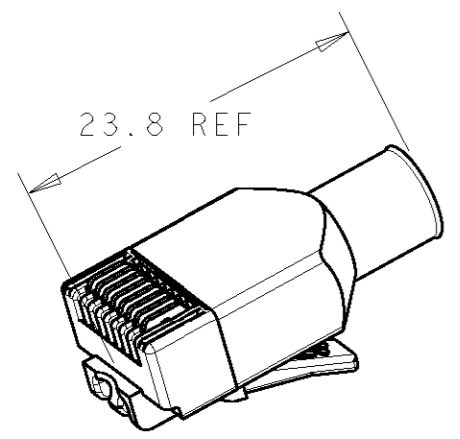
THIS DRAWING IS UNPUBLISHED. RELEASED FOR PUBLICATION 20
 © COPYRIGHT 20 BY TYCO ELECTRONICS CORPORATION. ALL RIGHTS RESERVED.

LOC	DIST	REVISIONS				
P	LTR	DESCRIPTION	DATE	DWN	APVD	
AL	2	B	ES00-0073-01	11JUL01	JC	RS
		BI	ES00-0073-03	01SEP03	RS	JL



- 1 TERMINATED DIMENSION 6.02±0.13
- 2 PACKAGING: 100 SUB-ASSEMBLIES, 100 WIRE HOLDERS AND 100 SHIELDS PER CARTON
- 3 PACKAGING: 1000 SUB-ASSEMBLIES, 1000 WIRE HOLDERS AND 1000 SHIELDS PER CARTON
- 4 CABLE RANGE: -4 TWISTED PAIRS, -JACKET DIAMETER: 5.0/6.0, -SHIELDING: FOIL AND/OR BRAID, -24/26 AWG STRANDED WIRE, -INSULATION DIAMETER: 0.8/1.0
- 5 1.27 MICRAS MIN. THICK GOLD IN LOCALIZED GOLD PLATE AREA, GOLD FLASH ON THE REMAINDER OVER 2.00 MICRAS MIN. THICK NICKEL UNDERPLATE.

- 1 DIMENSION TRAS ENGASTADURA 6.02±0.13
- 2 EMBALAJE: 100 SUBCONJUNTOS, 100 PORTACONDUCTORES Y 100 PANTALLAS EN UNA CAJA DE CARTON
- 3 EMBALAJE: 1000 SUBCONJUNTOS, 1000 PORTACONDUCTORES Y 1000 PANTALLAS EN UNA CAJA DE CARTON
- 4 RANGO DE CABLE: -4 PARES TRENZADOS, -DIAMETRO DE LA FUNDA: 5.0/6.0, -PANTALLA: LAMINA Y/O MALLA, -CABLECILLO DE 24/26 AWG, -DIAMETRO DE AISLANTE: 0.8/1.0
- 5 1.27 MICRAS MIN. DE Au EN EL AREA LOCALIZADA DE DORADO. RESTO FLASH DE Au SOBRE 2.00 MICRAS MIN. DE Ni.



3	2	NICKEL	BRASS	SHIELD	3
		---	PC	WIRE HOLDER	2
		CONTACT: 5	PC, PH BRONZE	ASSY, 8 POSN, SHLD, ROUND CABLE, MOD PLUG	1
-2	-1	FINISH	MATERIAL	DESCRIPTION	ITEM

THIS DRAWING IS A CONTROLLED DOCUMENT FOR TYCO ELECTRONICS CORPORATION. IT IS SUBJECT TO CHANGE AND THE CONTROLLING ENGINEERING ORGANIZATION SHOULD BE CONTACTED FOR THE LATEST REVISION.

DWN	J. CARBONELL	24DEC97	tyco Electronics	Tyco Electronics AMP España, S.A. Barcelona, Spain.	
CHK	O. PLANA	24DEC97			
APVD	-	-	NAME	KIT, 8 POSN, SHLD, RND CABLE, MOD PLUG	
PRODUCT SPEC	108-19102		APPLICATION SPEC	CJTO, 8V, APANT, CABLE REDONDO, MOD PLUG	
APPLICATION SPEC	114-22008		SIZE	CAGE CODE	DRAWING NO
WEIGHT	-		A3	00779	C-336330
MATERIAL	SEE TABLE	FINISH	SEE TABLE	RESTRICTED TO	-
CUSTOMER DRAWING			SCALE	4:1	SHEET 1 OF 1